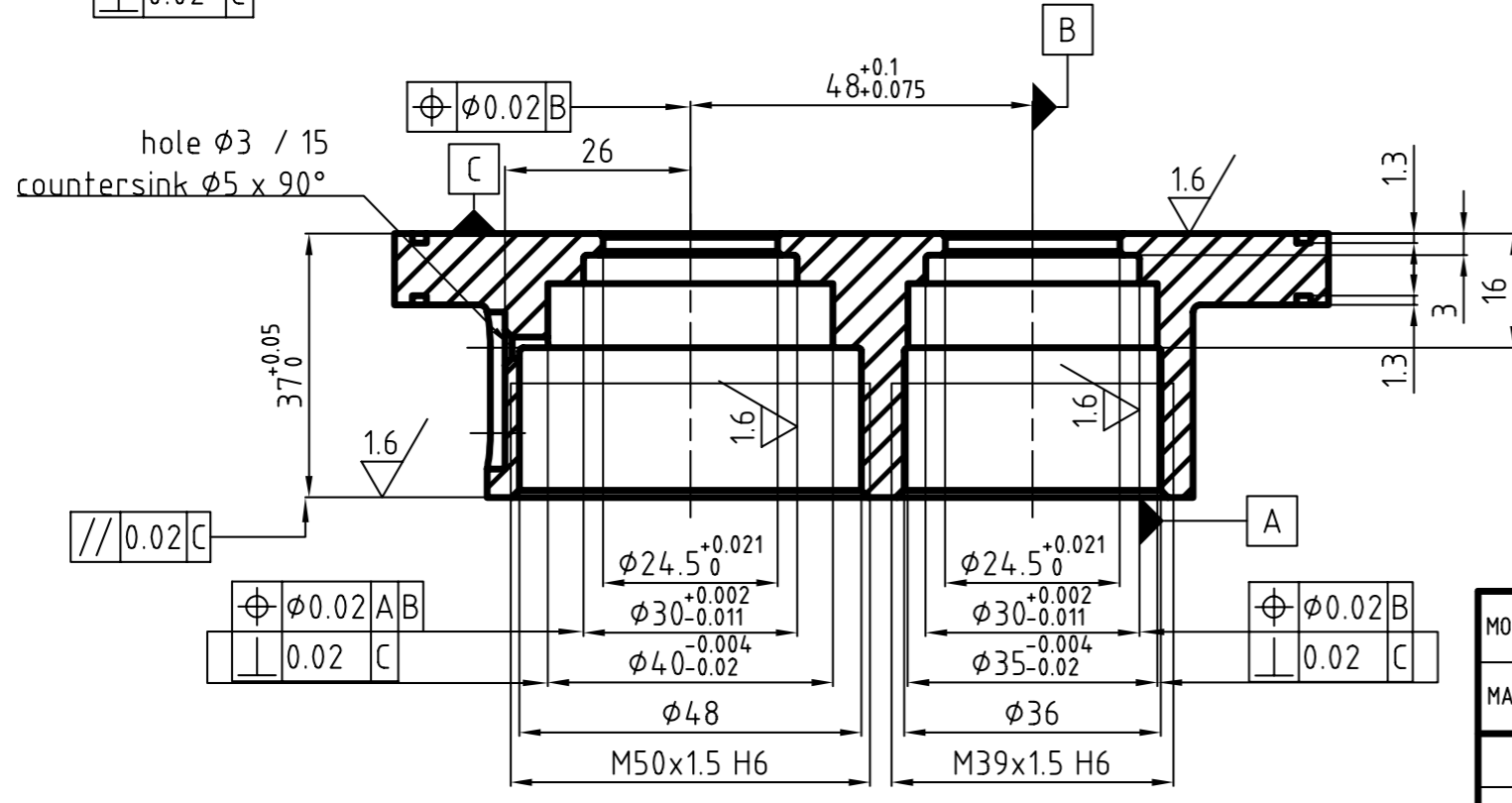
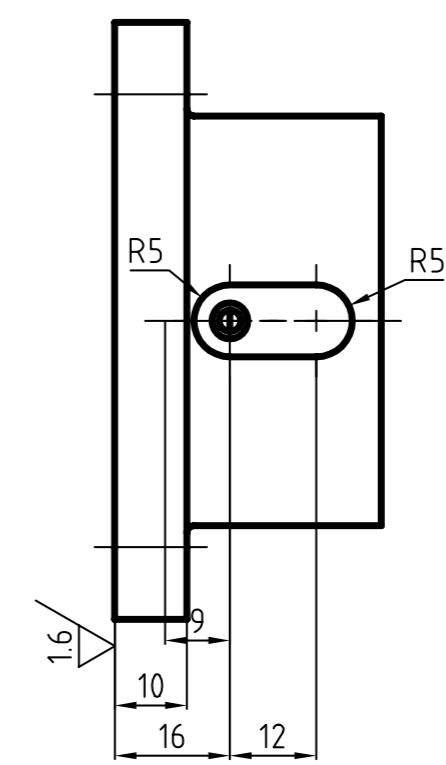
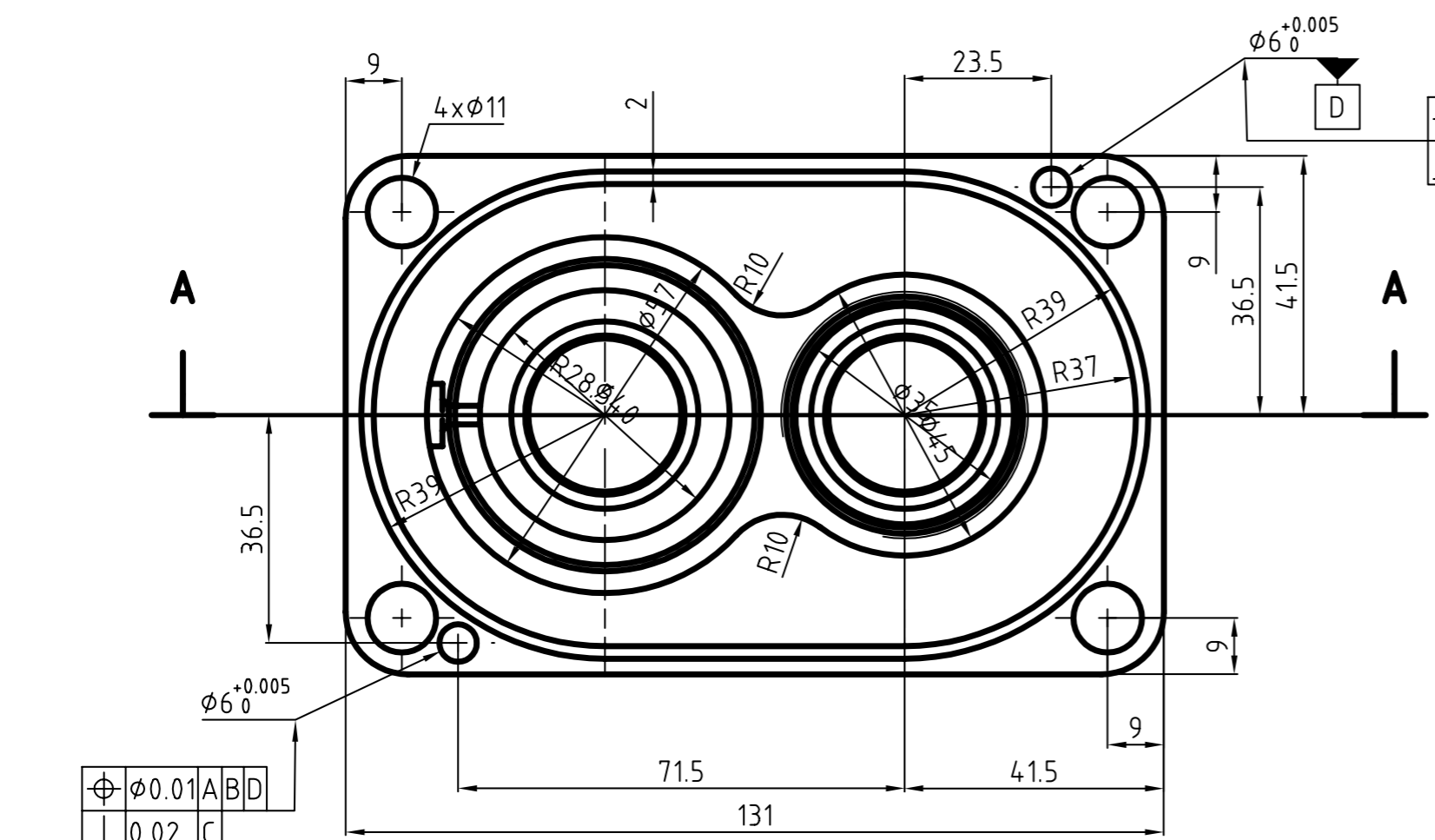


8	7	6	5	4	3	2	1
50							
45							
40							
35							
30							
25							
20							
15							
10							
5							
0							
ROUGHNESS SYMBOL							
ROUGHNESS VALUE: Ra um							
2000	4000	2000	4000	2000	4000	2000	4000
±3.0	±2.0	±1.2	±0.8	±0.5	±0.3	±0.2	±0.1
OVER DIMS							
UP TO & INCL.							
TOLERANCE							



Item	Qty	Standard	Material	Note
4	1		STAINLESS STEEL	

MODEL	000			CENTRE FOR POSITIVE DISPLACEMENT COMPRESSOR TECHNOLOGY
MATERIAL				
DESIGNED	AK	14/12/03	Bearing Housing Compressor – Expander (M)	
DRAWN	AK	14/12/03		
CAD	AK	14/02/03		
CHECKED			RPF.DRG No. _____ FILE NAME _____ SCALE 1:1	Drawing No. 004-M
APPROVED			DRG.SHEET 1	REVISION _____

NOTE:
 1. All unspecified radii to be 0.5 mm
 2. All unspecified chamfers to be 0.5/45°