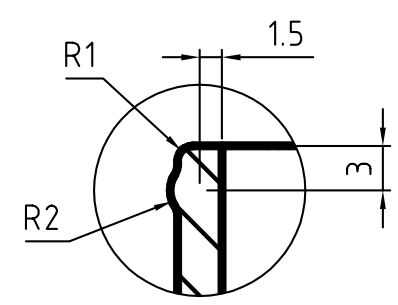
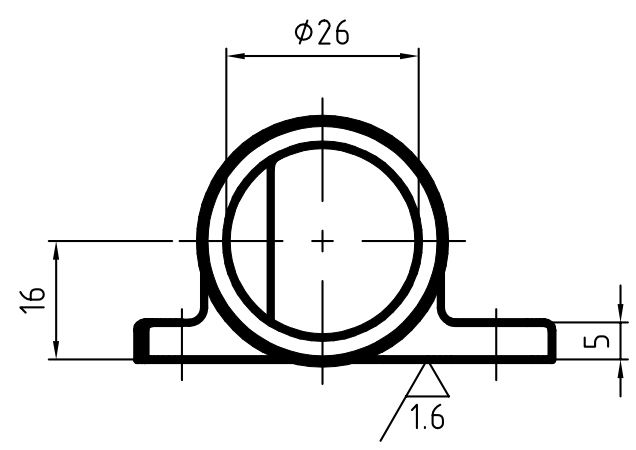
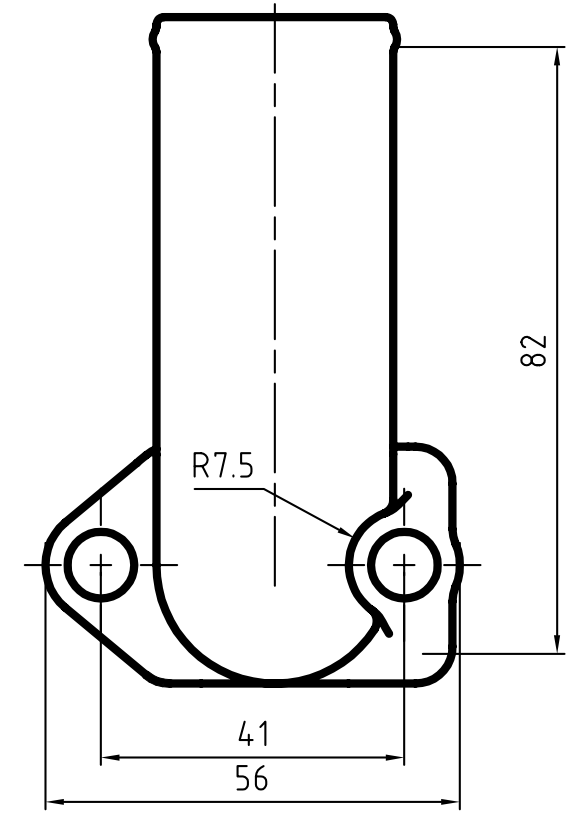
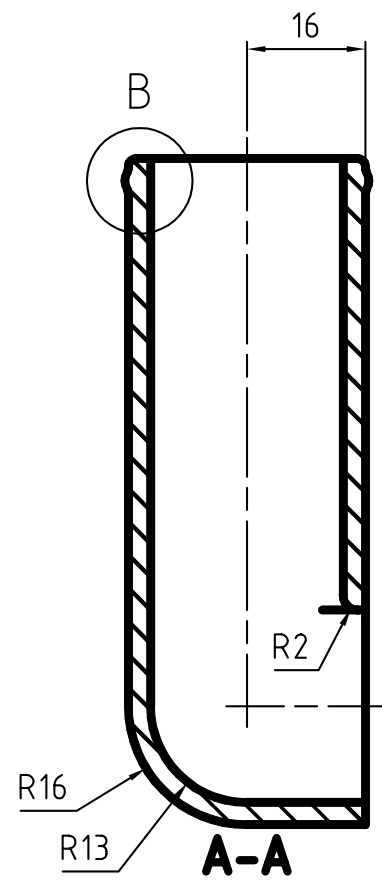
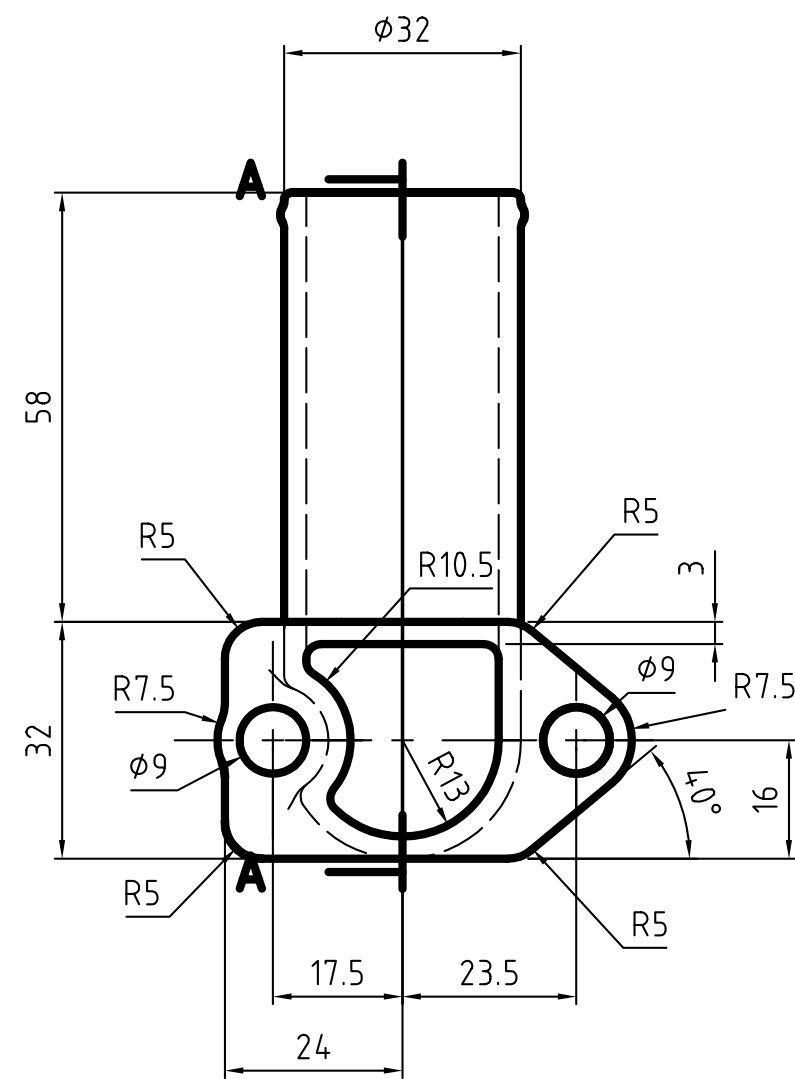


3.2



DETAIL B (2:1)

NOTE: All unspecified radii to be 2 mm

Item	Qty	Standard	Material	Note
15	1		Certal Grade 8	

MODEL		000			CENTRE FOR POSITIVE DISPLACEMENT COMPRESSOR TECHNOLOGY	
MATERIAL						
DESIGNED	AK	DATE	13/04/03	Connector 1" Expander Compressor		city_a3
DRAWN	AK	DATE	13/04/03			
CAD		RPF.DRG No.		FILE NAME		
CHECKED		SCALE	1:1		Drawing No. <b>015</b>	
APPROVED				DRG.SHEET		REVISION

All information contained in this document is CONFIDENTIAL and the property of CITY UNIVERSITY LONDON. Reproduction of these in any form should only be done with the specific permission of the CITY UNIVERSITY LONDON.

ROUGHNESS SYMBOL	ROUGHNESS VALUE Ra um	OVER UP TO & INCL.	TOLERANCE
	0.025	6	±0.1
	0.05	6	±0.2
	0.1	30	±0.3
	0.2	60	±0.5
	0.4	120	±0.8
	0.8	250	±1.2
	1.6	500	±2.0
	3.2	1000	±3.0
	6.3	2000	±4.0
	12.5	4000	±5.0
	25	8000	±7.0
	50	16000	±10.0